

# Choices Height Adjustable Tables Replacement Pneumatic Actuator

Trendway >

Holland, MI  
800 748 0234  
Trendway.com

## INSTALLATION INSTRUCTIONS

### TOOLS REQUIRED:

- Small Flat Bladed Screw Driver

### CAUTION:

To avoid accidental operation of the Gas Spring be sure the table is unloaded and the top is as high as it can go (Cylinder fully extended) before removing the Actuator from it's installed position.

### INSTALLATION INSTRUCTIONS:

#### READ ALL INSTRUCTIONS BEFORE STARTING.

#### DISASSEMBLY:

- Remove the Actuator from the bottom of the table by removing the (2) Mounting Screws. Note the position of the (2) Silver Adjustment Wheels. (FIG. 1)
- Remove the Spring from the Pivot Cam and the Actuator body. (FIG. 2)
- Disassemble the old Actuator assembly by inserting the small Screw Driver blade under the back of the Actuator Lever and pry up and remove the Lever. (FIG. 3 & 4)
- Lift the Pivot Cam up and out of its seat and slide the Cable End out of the Pivot Cam. (FIG. 5 & 6)
- Flip the Actuator over and turn the back Adjustment Wheel as far onto the Cable as possible. (FIG. 7) Turn the remaining Adjustment Wheel in the opposite direction until it disengages from the Threaded Cable end. (FIG. 8)
- Lift the Adjustment Wheel out of the slot and pull the Cable End out the Back of the Actuator. (FIG. 9)

FIG. 1

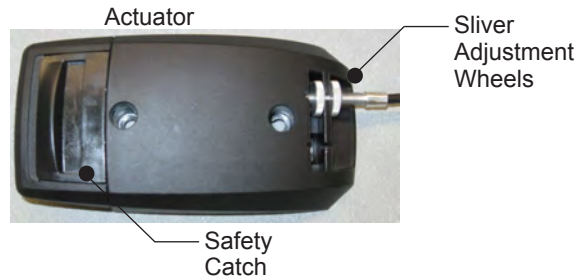


FIG. 2

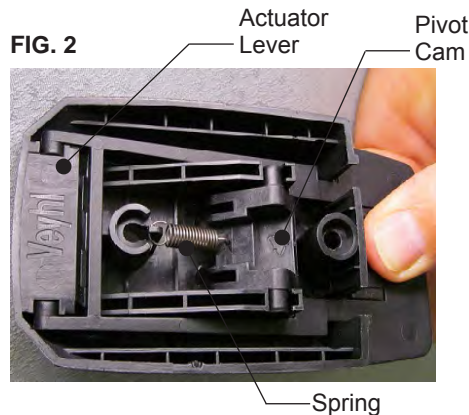


FIG. 3

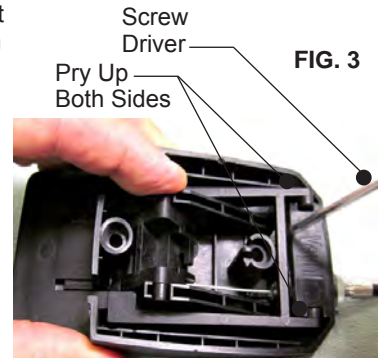


FIG. 4

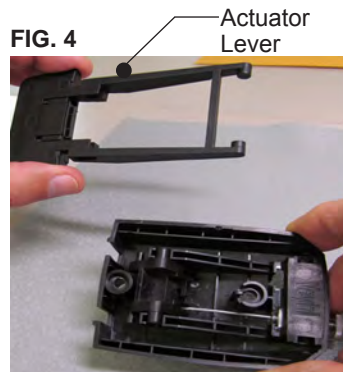


FIG. 5

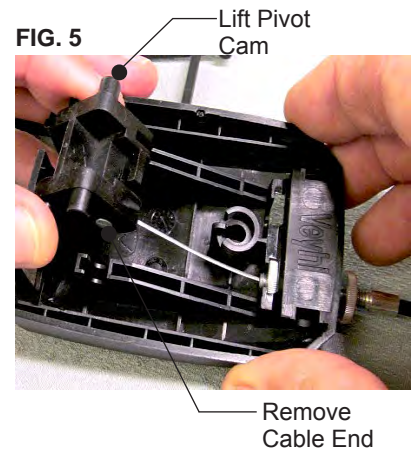
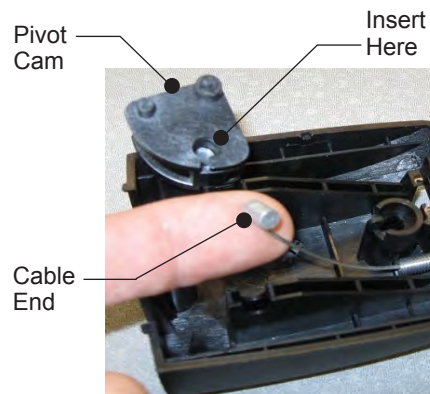


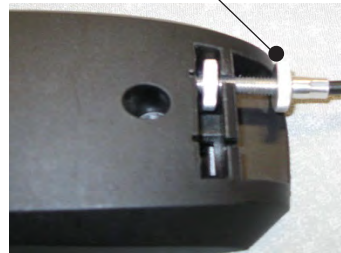
FIG. 6



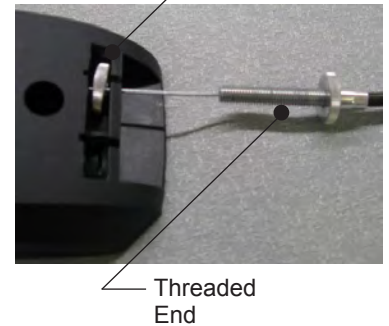
## ASSEMBLY:

- To assemble the new Actuator push the Cable End into the Back of the new Actuator and screw the Adjustment Wheel onto the Threaded Cable End. **(FIG. 7, 8 & 9)**
- Insert the Cable End into the Pivot Cam. **(FIG. 6 & 5)**
- Slide the small posts of the Pivot Cam into the slots of the Actuator Lever. **(FIG. 10 & 11)**
- Push the Pivot Cam forward in the Slots seating the Large Posts on the Pivot Cam into the Seats on the Actuator Body. **(FIG. 12)**
- Push the Back Posts of the Actuator Lever down into Channels at the back of the Actuator body. **(FIG. 2 & 13)**
- Attach the Spring to the Pivot Cam and the Hook of the Actuator body. **(FIG. 2)**
- Complete the assembly by moving the Adjusting Wheels to the original position. **(FIG. 1)**
- Attach the assembly to the bottom of the Table Top and test the Actuator. If necessary adjust the cable length using the Adjusting Wheels as described in INS530.

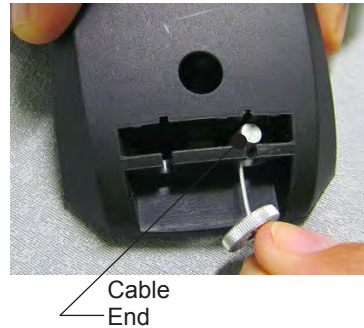
**FIG. 7** Back Adjustment Wheel



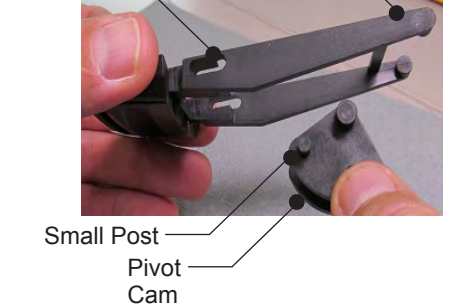
**FIG. 8** Front Adjustment Wheel



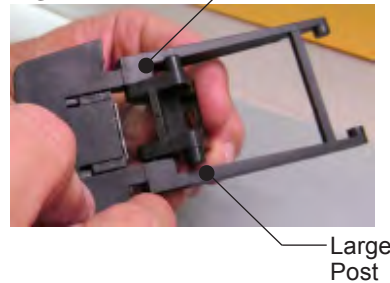
**FIG. 9**



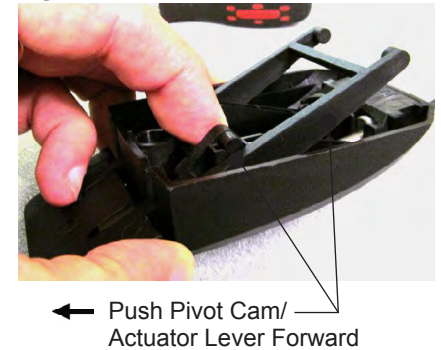
**FIG.10** Actuator Lever Slot for Small Post



**FIG.11**



**FIG.12**



**FIG.13**

